

**MAQUET**  
GETINGE GROUP

**MOBILE UNIVERSAL OPERATING TABLE  
ALPHAMAXX 1133.12 AND 1133.22**





## LIVING UP TO ALL REQUIREMENTS THE MULTIFUNCTIONAL ALPHAMAXX OPERATING TABLE MAQUET – THE GOLD STANDARD



**Developments made in conjunction with doctors:** this is one of the basic principles which has made MAQUET the world market leader for operating tables. Close cooperation and many years of experience have resulted in tried and tested products which facilitate the work in the operating room and help to increase the safety and comfort of the patient.

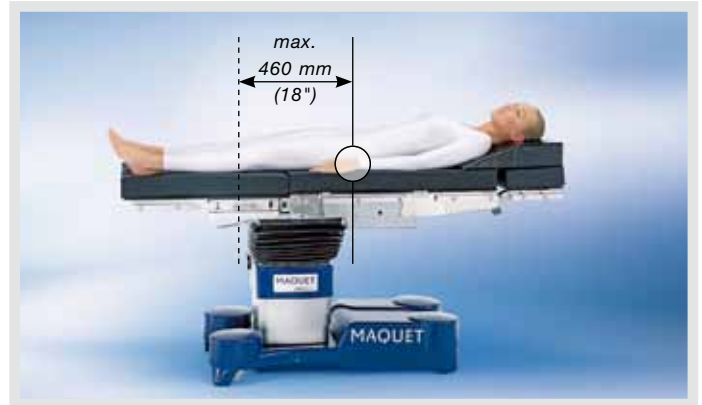
**Best example:** the ALPHAMAXX. This table can withstand even extreme loads in any position. The modular structure enables it to be adapted to match the size of the patient and in no time at all it can be equipped for any surgical discipline. A longitudinal shift of up to 460 mm (18") makes the ALPHAMAXX even more versatile.

MAQUET – The Gold Standard.

## AN OPERATING TABLE IN A CLASS OF ITS OWN EXTREMELY DURABLE AND JUST AS VERSATILE

### Longitudinal shift

The longitudinal shift of up to 460 mm (18") enables optimum access with the C-arm without needing to reposition the patient or to reverse the positioning of the patient. Each selected fluoroscopy point may easily be moved in front of or behind the column and ensures comfortable access to the patient - from initiation to surgery.



### Extreme load capacity

The need for operating tables with higher load capacity is increasing worldwide. With a maximum capacity capable of taking a 450 kg (992 lbs) patient weight, the MAQUET ALPHAMAXX offers highest levels of safety and stability.



### Optimum access

The ALPHAMAXX offers optimum access for the surgical team even when using seated positions, it also ensures ideal C-arm access.



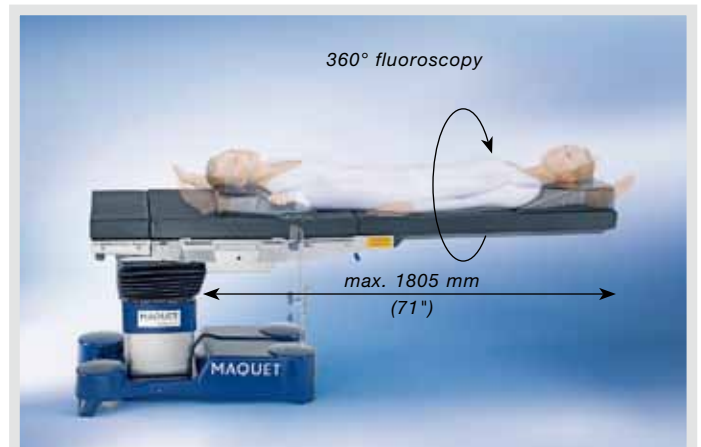
### Easy Click

The new mounting point enables the rapid deployment of a wide range of socket-mounted modules. Thus enabling the ALPHAMAXX to easily and comfortably be adapted to a wide variety of surgical tasks and patient heights.



### Reverse Mode

The reverse mode enables a patient position that is rotated by 180°. Various positioning devices may be adapted at the head and foot end, as required.



### Autodrive

The electric autodrive in the base has a gentle start-up function that ensures easy and safe movement of the ALPHAMAXX on four hydraulic double swivel castors. The pressure place on the floor covering is reduced.

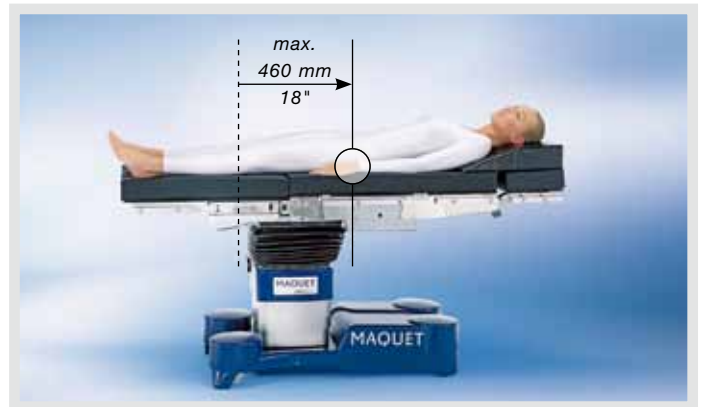
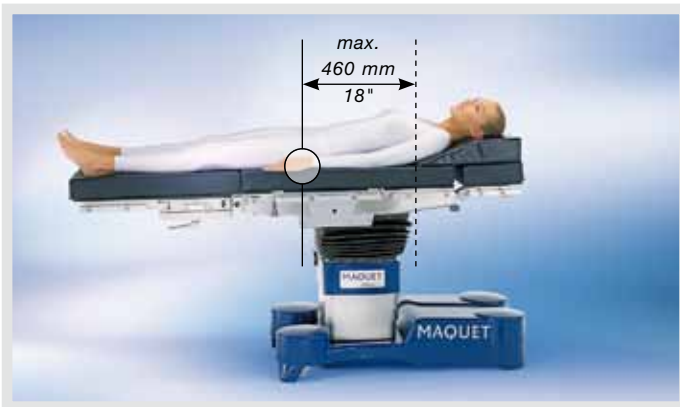




## LONGITUDINAL SHIFT OF UP TO 460 MM (18 INCH) AN EXAMPLE OF THE GREATEST POSSIBLE FLEXIBILITY

**Safe and time-efficient:** the ALPHAMAXX can be prepared for all surgical disciplines with very little effort. The motorised longitudinal shift of up to 460 mm (18") and the use of carbon fibre modules ensure unrestricted 360° use of the

C-arm without having to readjust the patient. The height adjustment from 594 to 1056 mm (23 to 42 inch) permits ergonomic working positions, both seated and standing.



Maximum and minimum heights of the ALPHAMAXX, for comfortable working, both seated and standing



The positioning device for operations on the spinal column with carbon fibre traction bars permits unrestricted C-arm access for 360° fluoroscopy in prone and supine positions during e.g. spinal column surgery. The C-arm can be used over the entire urogenital tract during urological procedures.

## EASY CLICK AND JOINT ADAPTER ACCESSORIES FOR UNLIMITED MODULARITY

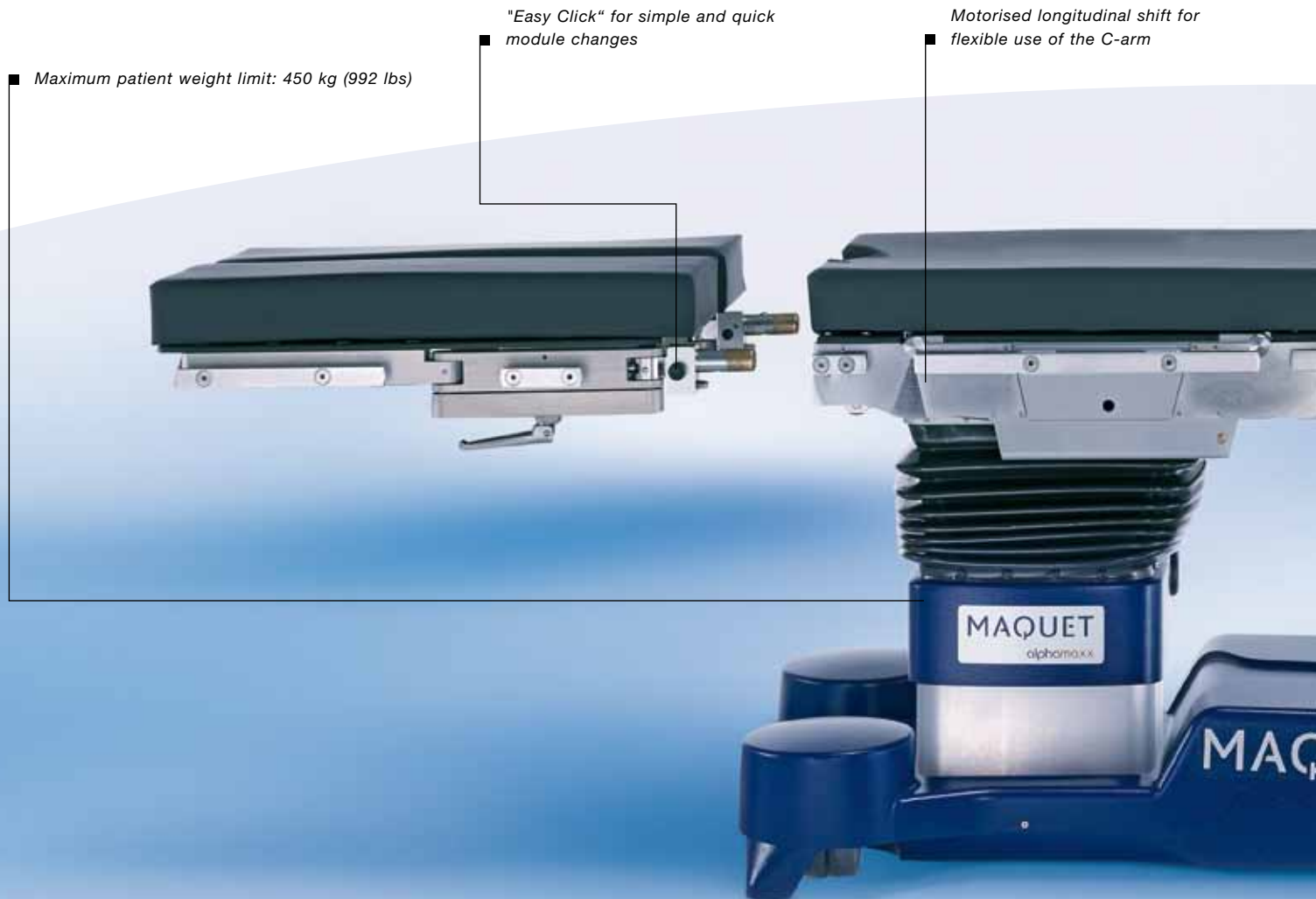
**Adaptable:** the modular structure of the table top forms the basis for the versatile adaptation options for specific surgical disciplines and patient statures. The mounting points at the

head and foot end have an "Easy Click" lock and simplify the quick replacement of socket-mounted modules without the use of time-consuming screw connections.



Identical mounting point geometry provides more flexibility when it comes to patient positioning. Leg and back plates may easily be exchanged to enable reverse positioning.

Increased safety due to "passive lock" and "active unlock" functions



Maximum patient weight limit: 450 kg (992 lbs)

"Easy Click" for simple and quick module changes

Motorised longitudinal shift for flexible use of the C-arm



**Safety-oriented:** the electrohydraulically driven leg plates may be adjusted individually or synchronously. An automatic component recognition in the leg plate mounting point

increases the safety of use. Depending on the table top position, the electronics monitor the adjustment areas in order to prevent collision.



The leg plates are adjusted electrohydraulically - individually or synchronously, as required.



Mounting point without adapter for socket-mounted modules



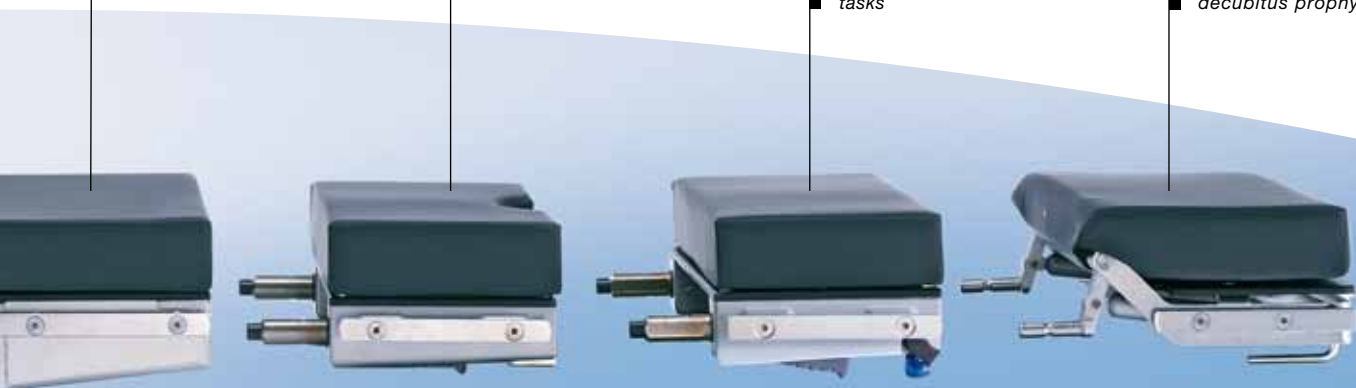
Mounting point with mounted joint adapter

Lower back plate with gynaecological cutout for reverse positioning of the patient in dorsosacral position

Expanded modularity: additional mounting point for extension modules

Modular design for ideal adaptation to a wide variety of surgical tasks

SFC pad (80 mm / 3 inch) with multi-layer design for optimum decubitus prophylaxis



## AUTODRIVE SAFE AND MOBILE EVEN WITH A HIGH LOAD

**Trendsetting:** even under high load conditions, an ALPHAMAXX can still easily be moved to any desired position. Four hydraulically actuated double swivel castors raise the operating table gently. An optional electric autodrives with gentle start-up function ensures additional comfort and convenience.



*Safe three-point base - even in the event of uneven floors*





The table is controlled using a corded hand control, IR remote control and foot switch, in the event of an emergency it can also be operated using the override panel

## ACCESSORIES AND USER COMFORT



The charging station for the IR remote control is integrated into the wall control panel.



Extra thick (80 mm / 3 inch) and proven many times: SFC pad with a multi-layered structure provides the optimum decubitus prophylaxis when the patient is under a general anaesthetic and considerably increased comfort when the patient is awake.



**All of the essential operating table functions** can be controlled using the corded hand control, IR remote control or foot switch (e. g. Flex, Reflex, Beach Chair, 0-position or foot locking). Foot switches with various configurations are available to implement intraoperative table top positions in the sterile area.

**User friendly:** all table top and column functions can be controlled via the wall control panel, an IR interface is used for data transfer. The colour display can be used to save individual operating table positions which can then be activated at any time. Status reports, instructions and error messages are shown on the display.

## REVERSE MODE FLEXIBLE PATIENT POSITIONING

**Versatile:** the examples show the different options that normal and reverse positioning offer to the various surgical disciplines. Using the positioning device for operations on the spinal column with carbon fibre traction bars (adapted to the leg plate mounting point, with reverse positioning) permits, e.g. extremely free positioning for intraoperative fluoroscopy

and excellent access for the surgical team. The lower back plate has a gynaecological cutout for reverse positioning of the patient in dorsosacral position. There is no longer a need for an additionally mounted seat plate extension. The C-arm can easily be used in urological surgery.

### Normal Mode:



Free access with the C-arm in cardiovascular surgery across the entire length of the patient

### Reverse Mode:



Optional patient positioning for initiation of anaesthesia in gynaecological and urological surgery



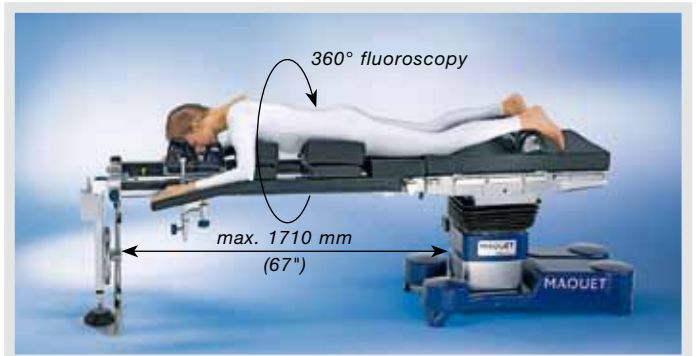
Rectal positioning on the special positioning device for optimum surgical access



Lower back plate with gynaecological cutout for urological surgery without seat plate extension

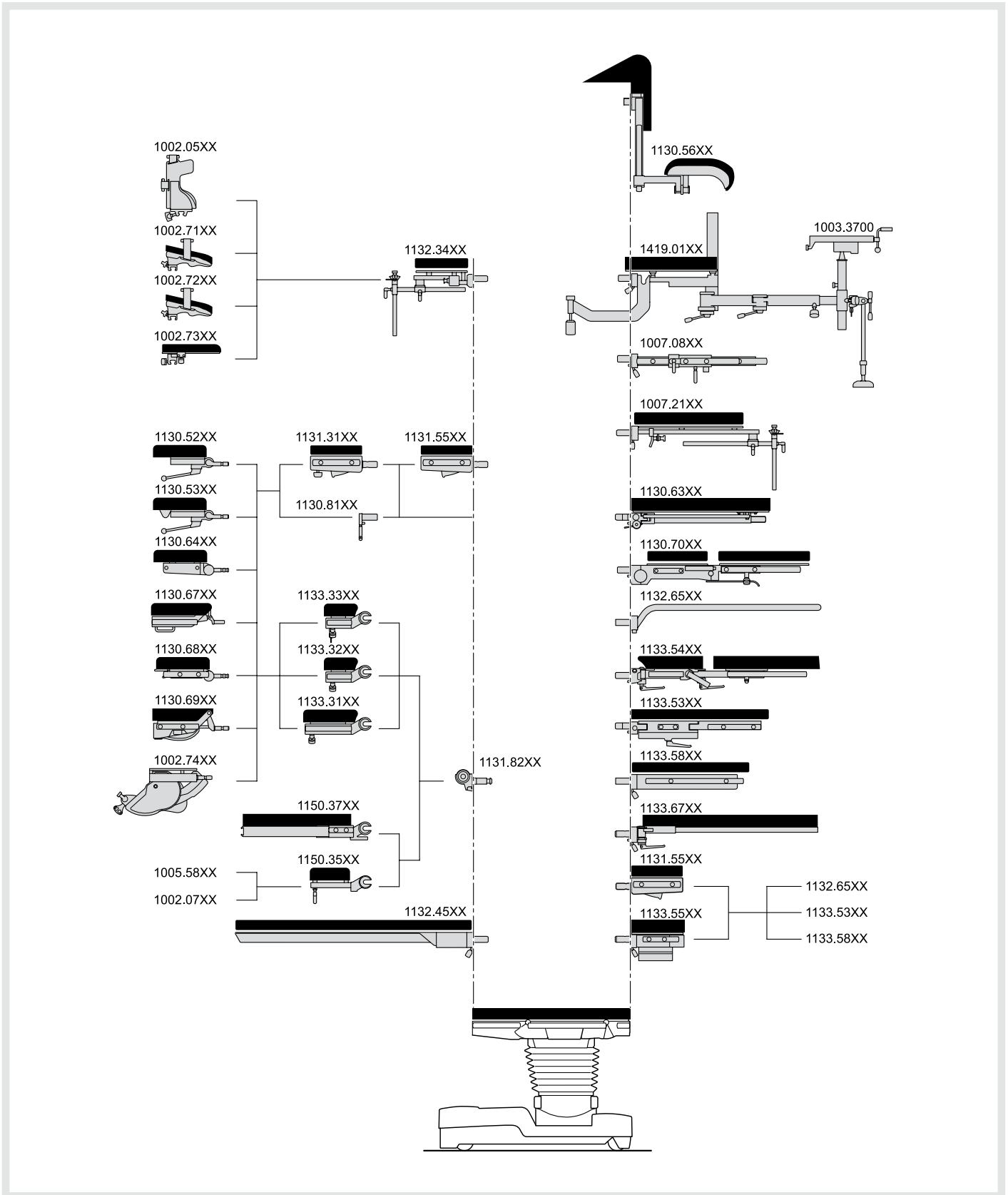


Beach Chair positioning in MIS gastric procedures, where gravity supports the required exposition of the surgical field



360° for intraoperative fluoroscopy and unlimited access for the surgical team at the positioning device for operations on the spinal column

# ALPHAMAXX 1133.12/1133.22 ACCESSORIES - OVERVIEW



# TECHNICAL SPECIFICATIONS AND CONSTRUCTION FEATURES

## Adjustment options using corded hand control, IR remote control or wall control panel

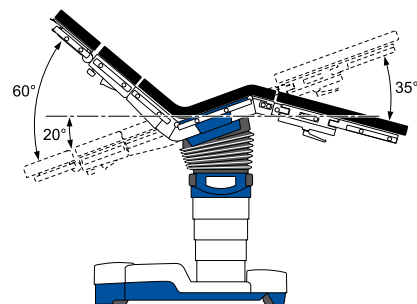
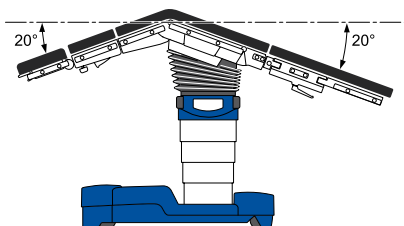
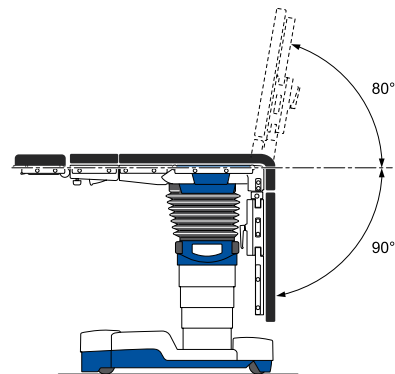
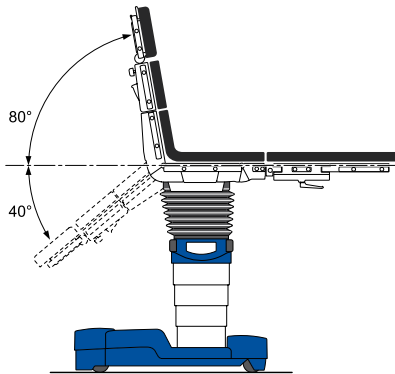
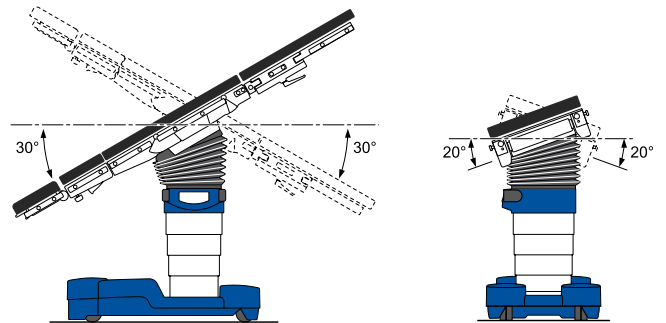
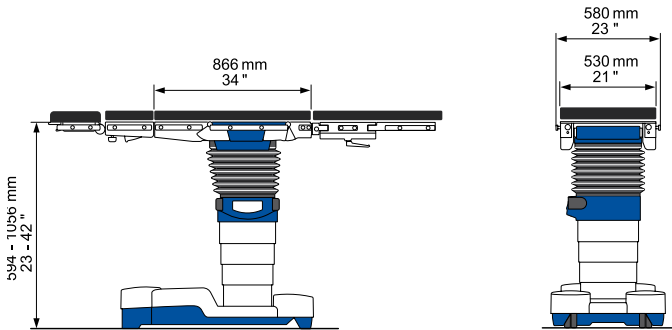
Height without padding	594 - 1056 mm (23 - 42")
Trendelenburg	+30°/-30°
Lateral tilt	20°
Lower back plate	+80°/-40°
Leg plates 1133.12 (adjustable individually or synchronously)	+10°/-90°
Leg plates 1133.22 (adjustable individually or synchronously)	+80°/-90°
Longitudinal shift 1133.12	230 mm (9")
Longitudinal shift 1133.22	460 mm (18")
Flex/Reflex/Beach Chair	
0-position (horizontal position of operating table top)	
Foot locking ("Lock"/"Unlock")	

## Technical information

Max. patient weight	450 kg (992 lbs)
Operating table dead weight	312 kg (688 lbs)
CE Complies with Medical Device Directive 93/42/EEC	

## Manual movements

1133 back plates with joint adapter	+90°/-45°
Standard head rest	+45°/-45°



**GENERAL CONSTRUCTION FEATURES:**

- Battery and mains power operation (see electrical specifications)
- Stable base construction with four double-swivel castors for easy movement and manoeuvring (locking via the control units)
- The covers for the base and override control panel are made of glass fibre-reinforced composite plastic, resistant to impact, breakage and disinfectant agents, with neutral tone colouring and a scratch-resistant coating
- CrNi steel column casing
- Seat plate supporting arms made of cast aluminium with disinfectant- and scratch-resistant enamel finish for 1133.12X
- Seat plate supporting arms made of cast aluminium with CrNi steel casing for 1133.22X
- Back plate supporting arms, leg clamps, joint cover and side rails made of CrNi steel

**VERSIONS AND TABLE TOP PADDING:**

1133.12X1	ALPHAMAXX, mobile operating table for general surgery in modular design, 230 mm (9 inch) longitudinal shift, electrohydraulic, without control units, with 80 mm (3 inch) SFC pad, radiolucent and electrically conductive, for use in areas subject to explosion hazard, AP-M-approved
1133.12X3	see above (1133.12X1), however, with electric autodrive
1133.22X4	ALPHAMAXX, mobile operating table for general surgery in modular design, 460 mm (18 inch) longitudinal shift, electrohydraulic, without control units, with 80 mm (3 inch) SFC pad, radiolucent and electrically conductive, for use in areas subject to explosion hazard, AP-M-approved
1133.22X5	see above (1133.22X1), however, with electric autodrive

**REQUIRED BASIC ACCESSORIES:**

1133.90XX	Corded hand control
1130.53XX	Dual joint head rest, with Trendelenburg adjustment feature, with guide rails for X-ray cassettes and with SFC padding
1131.31XX	Extension plate
1133.53XX	Pair of leg plates, abduction using dual-joint, with SFC padding

**OPERATION VIA:**

1133.91X0	IR remote control with charging station
1009.81D0	Foot switch for the following functions: height, Trendelenburg/rev. Trendelenburg, back
1009.81D1	Foot switch for the following functions: height, Trendelenburg/rev. Trendelenburg, lateral tilt
1009.81D2	Foot switch for the following functions: height, Trendelenburg/rev. Trendelenburg, leg plates
1009.81D3	Foot switch for the following functions: height, Trendelenburg/rev. Trendelenburg, longitudinal shift
1150.95B0	Wall control panel with LC display. Memory function for free selection of 10 table top positions

**FEATURES OF THE OPERATING TABLE TOP:**

- Operating table top: subdivided into six sections with head rest (optional), upper back plate (optional), lower back plate, seat plate, leg plates (optional)
- Entire table top without crossbars, to enable intraoperative fluoroscopy
- Guide rails for the insertion of X-ray cassettes from the head end
- SFC pad, 80 mm (3 inch) thick

**ELECTRICAL SPECIFICATIONS:**

- Special-design rechargeable batteries with a capacity for at least a week's use in the operating room
- Electronic monitoring of the charge level, with optical and acoustic display
- Batteries recharged from the mains power supply, 100-240 V AC (switchable), 50-60 Hz, via power supply cable
- Safety class II, Type B; the enclosure leakage current meets the requirements of the patient leakage current for CF conditions as per EN 60601-1

**OPTIONAL ACCESSORIES:****Head rests:**

1130.81XX	Head rest adapter
1130.67XX	Head rest with gas strut assisted adjustment, SFC padding

**Back plates:**

1007.21XX	Back plate for shoulder surgery, long
1132.34XX	Back plate for shoulder surgery, short
1131.82XX	Joint adapter, pair, for 1133 or 1150 modules
1133.32XX	Back plate, short, for general surgery, SFC padding
1133.33XX	Back plate, short, for neurosurgery, SFC padding

**Leg plates:**

1133.58XX	Leg plate, single-section, SFC padding
1133.54XX	Pair of leg plates, 4-section, SFC padding
1133.67XX	Pair of leg plates, carbon fibre, SFC padding
1131.55XX	Seat plate extension, SFC padding
1132.65XX	Leg positioning device, load of max. 40 kg (88 lbs), without side rails
1419.01HC	Extension device for operating table ALPHAMAXX
1133.80A0	X-ray cassette top (7-piece)

**For local contact:**

Please visit our Website  
[www.maquet.com](http://www.maquet.com)

**MAQUET**  
GETINGE GROUP

MAQUET GmbH & Co. KG  
Kehler Straße 31  
76437 Rastatt, Germany  
Phone: +49 (0) 7222 932-0  
Fax: +49 (0) 7222 932-571  
[info.sales@maquet.de](mailto:info.sales@maquet.de)  
[www.maquet.com](http://www.maquet.com)

GETINGE GROUP is a leading global provider of products and systems that contribute to quality enhancement and cost efficiency within healthcare and life sciences. We operate under the three brands of ArjoHuntleigh, GETINGE and MAQUET. Arjo-Huntleigh focuses on patient mobility and wound management solutions. GETINGE provides solutions for infection control within healthcare and contamination prevention within life sciences. MAQUET specializes in solutions, therapies and products for surgical interventions, interventional cardiology and intensive care.