

MAQUET
GETINGE GROUP

**MOBILE OPERATING TABLES
ALPHACLASSIC PRO**





MADE BY PRO'S - FOR PROFESSIONALS MAQUET – THE GOLD STANDARD



Since 1838, MAQUET has been a leader in the design and manufacture of professional and high standard operating tables. With 170 years of experience, MAQUET has become one of the leading global suppliers of operating room infrastructure equipment and recently therapeutic treatment accessories.

With its three divisions – Cardiovascular, Critical Care and Surgical workplaces, MAQUET offers innovative solutions in various medical disciplines that the healthcare professionals know and trust.

Benefiting from versatile design, the new ALPHACLASSIC PRO is the ultimate all rounder: As with all CLASSIC models, the table's ability to go to very low levels facilitates a comfortable and ergonomic working height for the surgeon when seated. Thanks to its excellent longitudinal shift, exceptional X-ray machine access is assured. Additional applications are made possible due to the motorized back plate and the backlit hand control facilitates work in darkened environments (MIS). One of many pro's to explore.

MAQUET – The Gold Standard.

PRO BY PROFESSIONALS MAQUET QUALITY

Premium quality materials: Metal and special hard fibre plates ensure long term stable use under maximum (360 kg / 794 lbs) loading. All surfaces are easy to clean and

disinfect. From head to feet, radiolucent plates offer clean X-ray images, undisturbed by handles or other barriers.



80mm multi-layer SFC pads offer patients outstanding protection against pressure related complications. A MAQUET standard for exceptional comfort.



High quality stainless steel and aluminum alloy structure for top stability and durability.



PRO USE SAFE AND COMFORTABLE OPERATION

Universal interfaces with quick click: Identical geometry of the mounting points offers great flexibility in all configurations: Leg plate and extension back plate are easily inter-

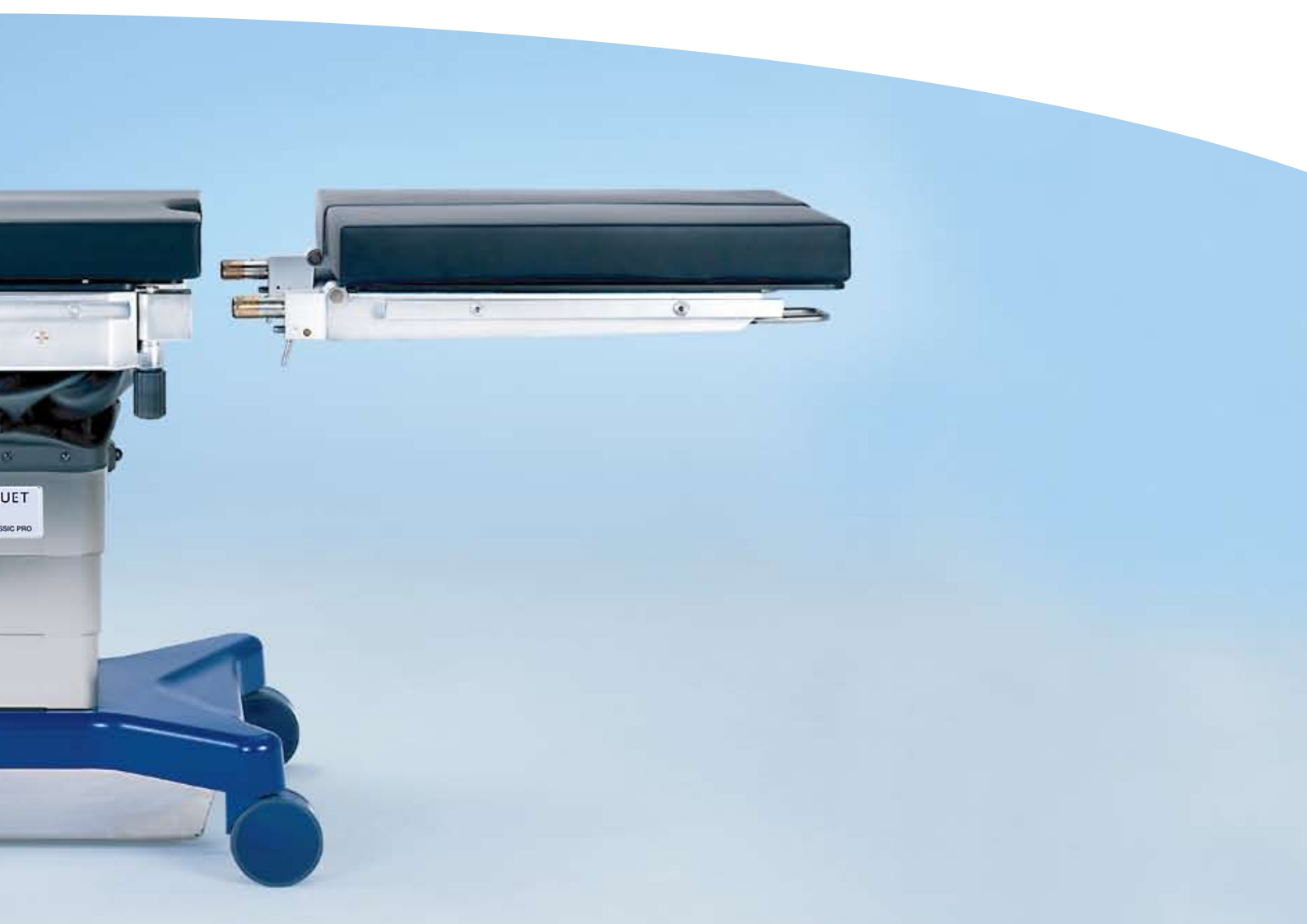
changed with a single click. A wide range of MAQUET accessories can therefore be fitted with the quick click system (no screws), which saves time and adds confidence in use.



Radiolucent back plate without any barriers, integrated cassette channel.



Safe 2-sided removal and clear tactile feedback of proper insertion.



PRO DIVERSITY VERSATILE SURGICAL CONFIGURATIONS

Modular Assembly: Thanks to universal interfaces and MAQUET numerous accessories, ALPHACLASSIC PRO provides various configurations of table tops. Tall or short, large or slim, all applications and body types are catered for.



Head rest to back plate.



Upper back plate to lower back plate.



Leg plate to seat plate.





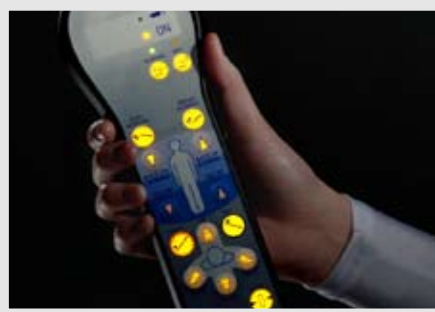
PRO DARK VISIBILITY IN ALL SITUATIONS

Backlit hand control - light in darkness: Working in a darkened theatre such as during a MIS procedure is made easy thanks to the backlit panel. All available functions

are highlighted. Combined with self-explanatory icons this provides the user with an intuitive indication for safe operation. FLEX / REFLEX and 0-level are integrated for quick positioning.



Cable connected control, IR control & foot switch are optional; override panel is included as a standard.



Hand control showing NORMAL position.



Hand control showing REVERSE position.

PRO SPACE PERFECT X-RAY ACCESS

Longer shift: With a remarkable 310mm (12.2 inches) longitudinal shift (optional), C-arm access is optimized allowing

for groin to head x ray access. Up to 1100 mm (43.3 inches) in NORMAL and 1200 mm (47.2 inches) in REVERSE.



REVERSE position



NORMAL position





PRO POSITIONING SHOULDER SURGERY EXPERT

Excellent in shoulder MIS: With shoulder surgery in mind, mounted in NORMAL or REVERSE position, both types of shoulder sections from MAQUET can be



With the shorter back plate and shoulder module, whose side sections are detachable laterally, upper arms can be easily moved, revealed and positioned during Minimal Invasive Surgery (MIS) of the shoulder.

PRO CHANGE MORE POSSIBILITIES

Normal or Reverse? By interchanging back and leg sections, ALPHACLASSIC PRO gains significant X-ray

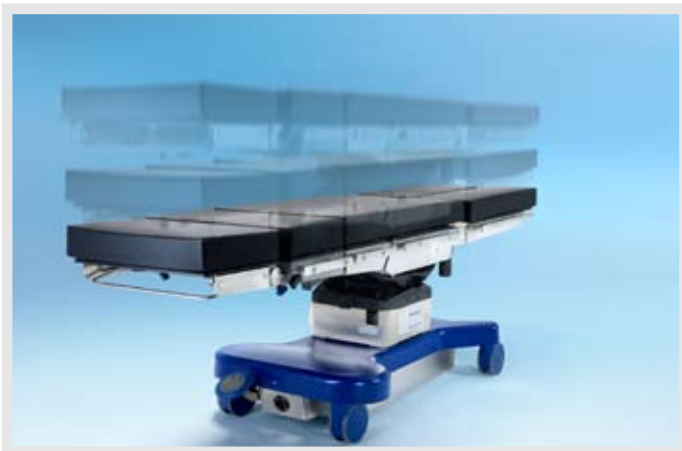
access capabilities in standard configuration to fulfill the demands for C-arm scans.



ALPHACLASSIC PRO PRO ERGONOMICS

Ergonomic height adjustment: With 600mm – 950mm height adjustability, whether sitting or standing, surgeons can find an ergonomic working height during surgery

with an ALPHACLASSIC PRO. The smart combination of table top angles with section lengths enables unique possibilities.



Ideal height for the surgeon, and the surgical team.



Super low position thanks to flexible table top adjustment.

ALPHACLASSIC PRO PATIENT POSITIONINGS



Supine position in NORMAL.



Supine position with carbon-fiber module for orbital (360°) C-arm access.



Lithotomy position with Goepel leg holder for gynecological surgery.



Lithotomy position with seat elongation for urological surgery.



Beach chair position with shoulder module.



Neurosurgery in extreme low position.

ALPHACLASSIC PRO PATIENT POSITIONINGS



Lateral position for kidney surgery.



Positioning for minimally invasive surgery with excellent freedom of access.



ALPHACLASSIC PRO with extension device for trauma surgery.



ALPHACLASSIC PRO with spinal frame.

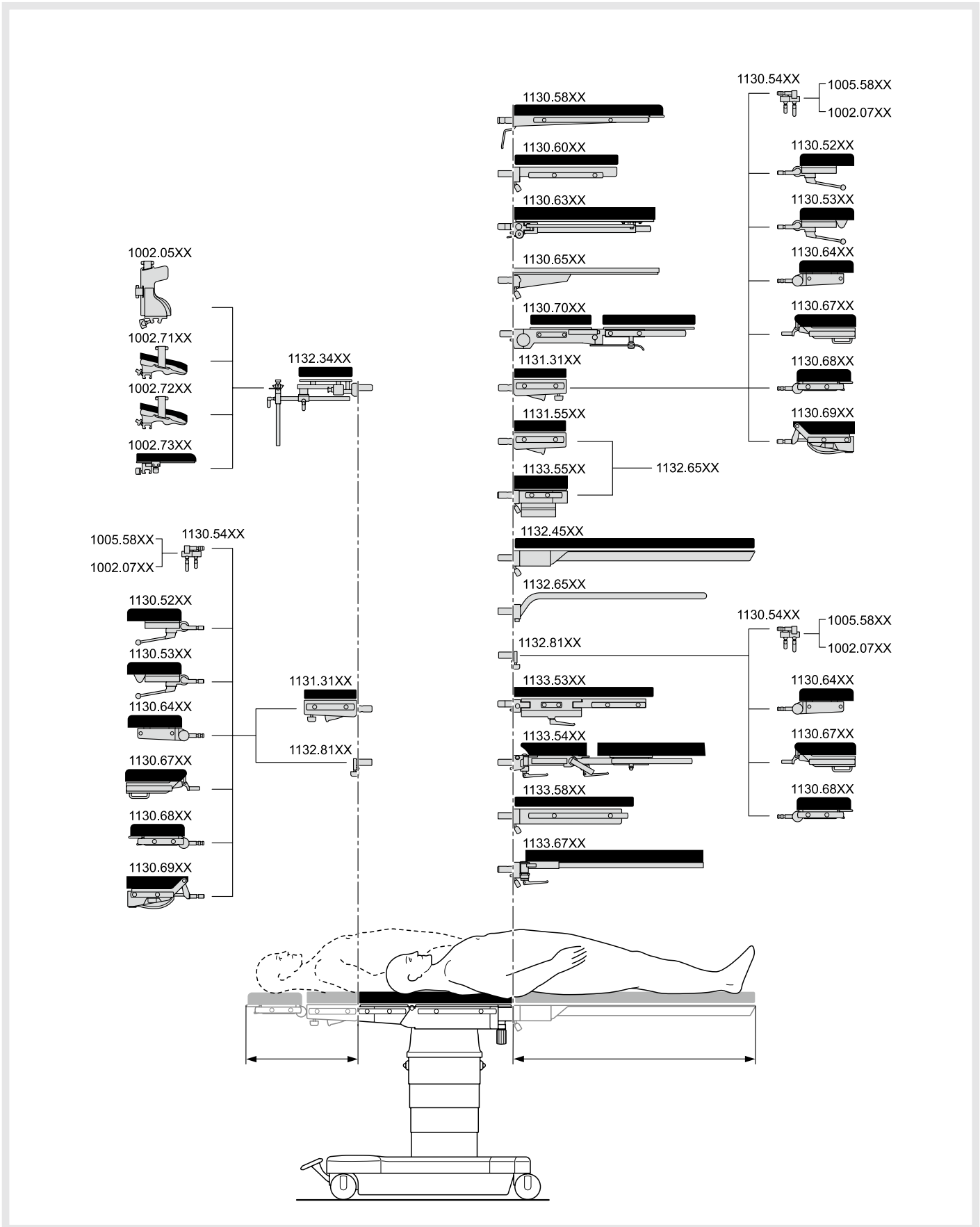


Shorter table top in REVERSE.



Shorter table top in NORMAL.

ALPHACLASSIC PRO ACCESSORIES EXAMPLE



COMPREHENSIVE SERVICES

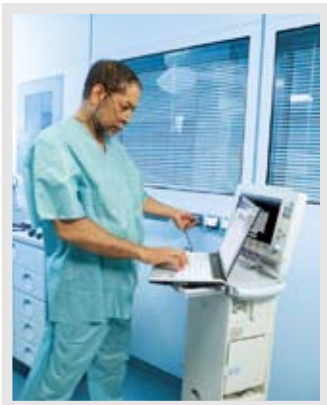
MCARE SERVICES



The MCare Academy offers a great deal of useful product knowledge



Costs and risks controlled throughout the product lifecycle



Innovation and updates for ongoing development



Maintenance, repairs, and replacement parts to ensure reliable operation

MAQUET's MCare Services support and service program offers a variety of customer support options. In addition to maintenance and repair, these services include training in applications and patient positioning workshops. MAQUET's further training offerings include symposia regarding new treatment options and e-learning programs. Additional options include financing concepts for equipment and clinical staff.

“Empowering our customers” – means more decision-making flexibility for customers and thus greater cost effectiveness. With its MCare Services, MAQUET offers tailored and flexible support and services for its entire product range, thus providing added value for the entire product lifespan. The scope of the support, the right service package, and additional options are determined in conjunction with the customer and adapted to meet the specific needs of the healthcare facility. There are four types of service agreement available to cover different scopes of service:

- MCare Preventive
- MCare Plus
- MCare Professional
- MCare Partner

MAQUET – The Gold Standard.

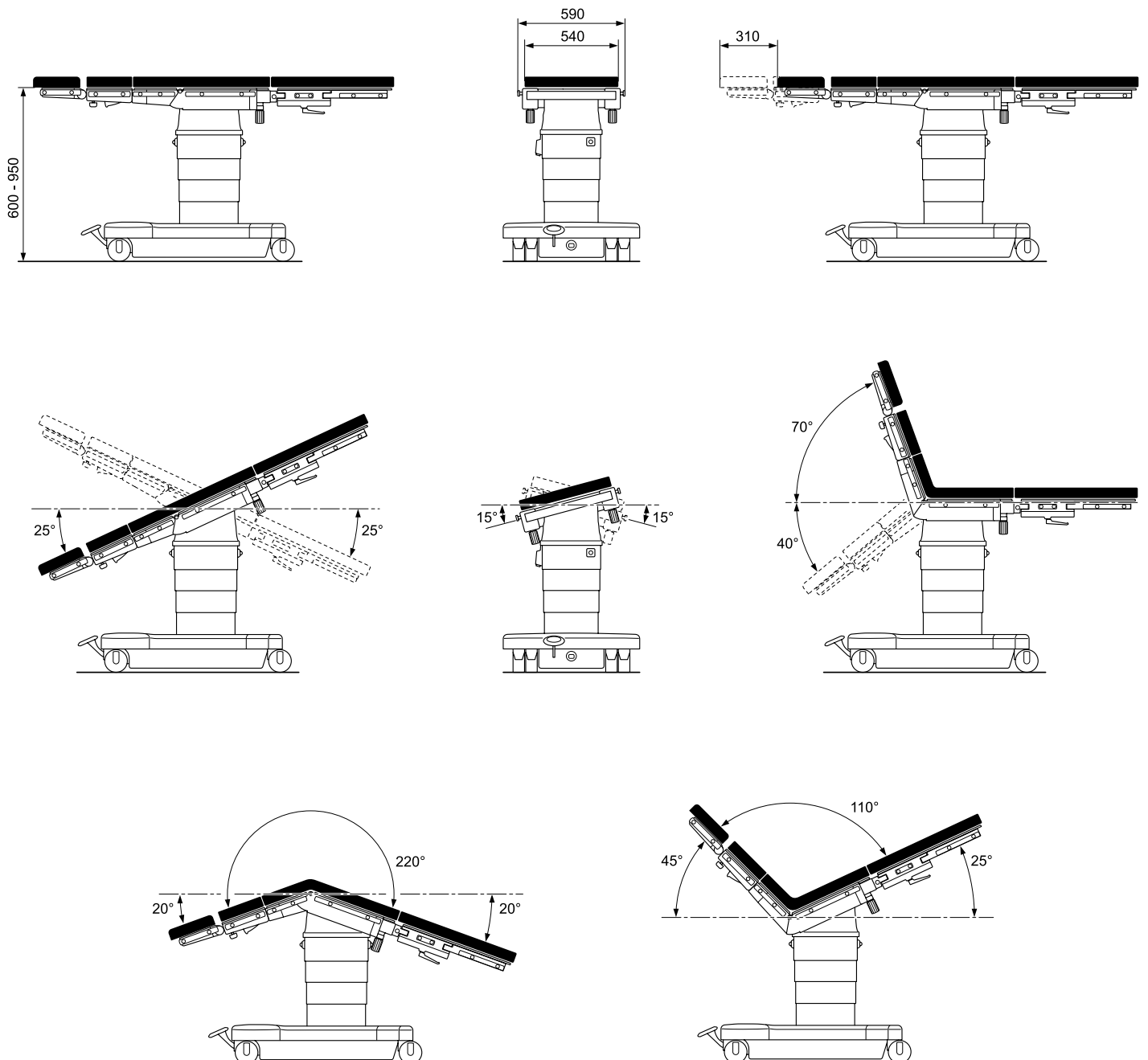
PACKAGES OF MCARE SERVICES	MCare Preventive	MCare Plus	MCare Professional	MCare Partner
Telephone support	■	■	■	■
Preventive service	■	■	■	
Corrective service		■	■	
Selected spare parts		(■)	■	
Maintenance kits	■	■	■	
Selected consumables			■	(■)
Updates		■	■	■
Technical training				■
User training	■	■	■	■
Additional Options				
Emergency back-up unit				
Upgrades				
Quality check				
Consumables discount				
Software options discount				
Accessories discount				
MCare remote services				
MCare portal				
E-learning technical training				
E-learning user training				

Local variants of MCare Services packages are possible. Please contact your local MAQUET representative or visit www.maquet.com for more information.

ALPHACLASSIC PRO

TECHNICAL SPECIFICATION

ALPHACLASSIC PRO			
Longitudinal shift	310 mm (12.2 inches)	Height without padding	600 mm (23.6 inches) – 950 mm (37.4 inches)
Max loading capacity	360 kg (794 lbs)	Trendelenburg / Reverse Trendelenburg	25°
Table length	2140 mm (84.3 inches)	Lateral tilt to either side	15°
Table width (across side rails)	590 mm (23.2 inches)	Lower back plate	+70° / -40°



Subsidiaries

Australia:

MAQUET Australia Pty Ltd
P.O. Box 50, Bulimba
Queensland 4171, Australia
Phone: +61 (0) 7 33 99 33 11

China:

MAQUET (Shanghai) Medical Equipment Co., Ltd.
1988-91 Tower B, City Centre of Shanghai,
100 Zun Yi Road, Shanghai 200051, P.R. China
Phone: +86 (0) 21 62371957

Finland:

MAQUET Nordic Suomi
Vattuniemenkatu 23
00210 Helsinki, Finland
Phone: +358 9 682 412 60

Hong Kong:

MAQUET Hong Kong Limited
1105-1107 Grand Century Place I
193 Prince Edward Road West
Mongkok, Kowloon, Hong Kong
Phone: +852 2393 9 511

India:

MAQUET Medical India Pvt. Ltd.
2nd Flr, Mehta Trade Centre
Sir M V Road, Andheri (East)
Mumbai - 400099, India
Phone: +91-22-4069 2100

Japan:

MAQUET Japan K.K.
Seafort Square Building, 7th Floor
2-3-12, Higashishinagawa, Shinagawa-ku
Tokyo, 140-0002, Japan
Phone: +81 (0) 3 5463-8310

Latin America:

MAQUET do Brasil Ltda.
Rua Said Aiach 161, Paraíso
04003-20 São Paulo/SP, Brasil
Phone: +55 (0) 11 2126 2500

Netherlands:

MAQUET Netherlands B.V.
Oscar Romerolaan 3
1216 TJ Hilversum, Netherlands
P.O. Box 388
1200 AJ Hilversum, Netherlands
Phone: +31 (0) 35 6255320

Republic of Ireland:

MAQUET Ireland
Unit B6
Calmount Business Park
Ballymount
Dublin 12, Republic of Ireland
Phone: +353 (0) 142 60032

Russia:

MAQUET LLC
Stanislavskogo 21, Bld. 7
109004 Moscow, Russia
Phone: +7 495 514 0055

Singapore:

MAQUET South East Asia Pte Ltd.
20 Bendemeer Road
#06-01/02 Cyberhub Building
Singapore 339914, Singapore
Phone: +65 6 296 1992

Slovakia:

MAQUET Medizintechnik
Vertrieb und Service GmbH – o.z.
Soltsovej 12
811 08 Bratislava, Slovakia
Phone: +421 2 50219 150

United Kingdom:

MAQUET Ltd.
14-15 Burford Way
Boldon Business Park
Sunderland
Tyne & Wear, NE35 9PZ, United Kingdom
Phone: +44 (0) 191 519 6200

MAQUET

GETINGE GROUP

MAQUET (Suzhou) Co., Ltd.
No.158 Fangzhou Road,
Suzhou Industrial Park,
Suzhou, P.R.China 215024
Phone: +86 (0) 512 62839880
Fax: +86 (0) 512 62838861
www.maquet.com

For local contact:

Please visit our Website
www.maquet.com

GETINGE GROUP is a leading global provider of products and systems that contribute to quality enhancement and cost efficiency within healthcare and life sciences. We operate under the three brands of ArjoHuntleigh, GETINGE and MAQUET. ArjoHuntleigh focuses on patient mobility and wound management solutions. GETINGE provides solutions for infection control within healthcare and contamination prevention within life sciences. MAQUET specializes in solutions, therapies and products for surgical interventions, interventional cardiology and intensive care.